

# 60 LED High Power Solar Street Light (Single Head)

Complete System

NEOJ2019-11

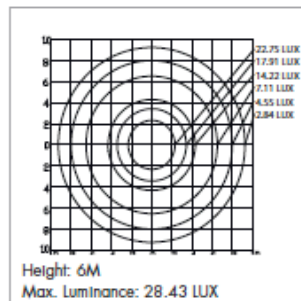


Technical Parameters

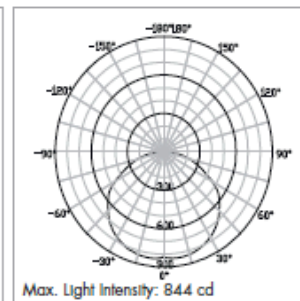
Light source:	60 x 1W High Power LED
Color temperature:	2000K±200K / 6500K±500K
Luminance flux:	3599lm
Average illumination:	13Lux/6M
Area of illumination:	±9M
Total power:	60W
LED operating current:	24VDC
Peak watt of solar module:	220Wp
Battery:	Maintenance free battery 100AH/24V 10 Hours per day / 5 days total running time on a fully charged battery. (Typical)
Specially designed controller:	<ul style="list-style-type: none"> <li>- Light Control</li> <li>- Over Charge Protection</li> <li>- Over Discharge Protection</li> <li>- Auto Switching to Mains</li> </ul> (when battery falls below a predetermined level)

CE IP65

ISO-Luminance Curve



Candle Power Distribution



Dimensions of System

